

## Air to Air Heat Pump HP3000 series

Low energy room heating, using a reverse refrigeration process to transfer heat from the outside to the air in the room. This is much more efficient than conventional heating, typically using only one third of the energy. Mounted on an external wall, all fitting and servicing are carried out from within the room. An excellent addition to existing heating in cold rooms, or replacement. A simple and cost effective aid to improving SAP and CFSH ratings in new apartments when used as the principal heat source.

- Low energy heating
- Fully integrated unit
- Typical Coefficient of Performance of 2.7
- Up to 2.04kW of heating



The unit is connected to the outside through two apertures. The outside grilles can be positioned working from inside the room. Can be installed in less than 2 hours.



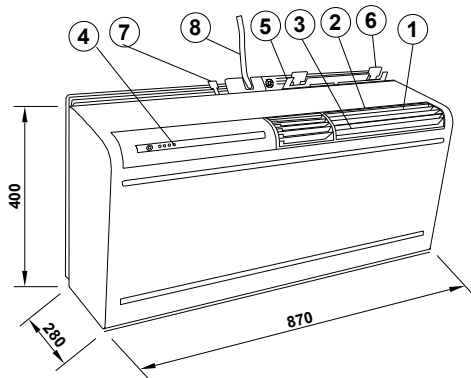
### Characteristics

- Fully integrated wall mounted unit, more compact and lighter than storage heaters.
- Typical Coefficient of Performance of 2.7, giving a fuel saving of 63%.
- Gives up to 2.04kW of heating, but uses less than 1kW of energy.
- Suitable for retrofit or new build.
- Modest capital cost.
- Remote Control handset.

## Technical data

<b>Dimensions:</b>	<b>8.5HP</b>	<b>11.0HP</b>
L x H x D (mm)	870 x 400 x 280	870 x 400 x 280
Weight	43kg	46kg
Wall hole diameter	153mm	153mm
Power supply	230V/50Hz	230V/50Hz
Coefficient of Performance	2.64	1.88
Heating capacity	1.90kW	2.04kW
Absorbed power in heating mode	720W	1,080W
Internal air flow	350	390
External air flow	480	550
Refrigerant gas	R410A	R410A

## Design Features



- 01. Air outlet grille
- 02. Lateral airflow adjustment lever
- 03. Motor operates baffles for upward airflow
- 04. Alarm display console
- 05. Air intake grille
- 06. Removable air filter
- 07. Condensation outlet hose (capped)
- 08. Power cable

Fully integrated heat pump for wall mounting.  
 All installation & maintenance done from inside the room, ideal for apartments.  
 Well styled unit with comprehensive heating control.

